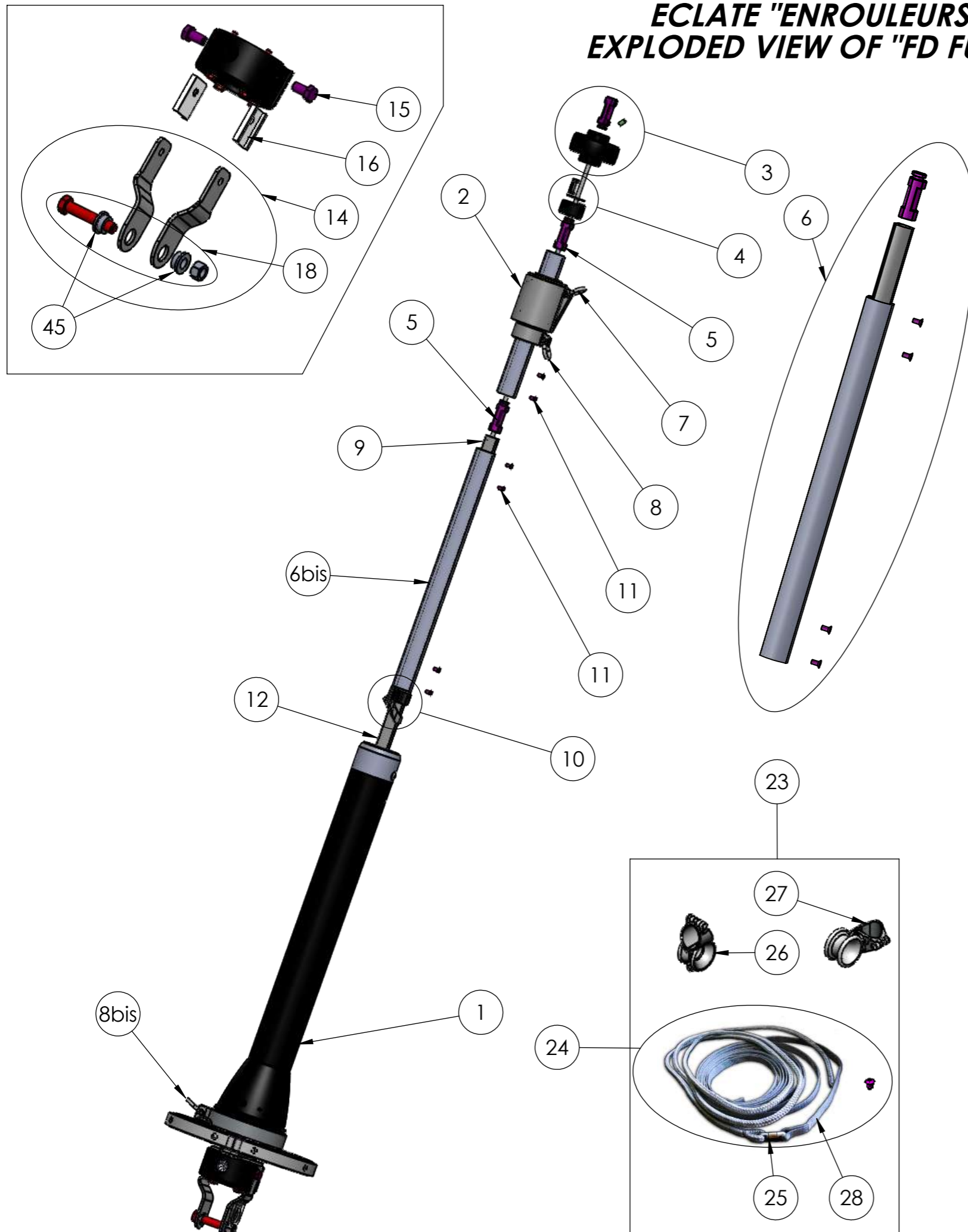


# ECLATE "ENROULEURS FD" - PIECES DETACHEES / EXPLODED VIEW OF "FD FURLING SYSTEM" - SPARE PARTS



Rep.	Désignation	Description
1	Tambour complet avec sangle montée	Complete drum with webbing fitted
2	Emerillon	Swivel
3	Rondelle déflectrice	Halyard deflector wheel
4	Bouchon + plaque + pige	Top cap + plate + pin
5	Palier	Bushing
6	Kit profil externe double gorge	Twin groove foil sectionFoil section Kit
6bis	Profil externe seul	Twin groove foil section
7	Manille longue emerillon	Long shackle
8	Manille lyre curseur	Swivel bow shackle
8bis	Manille lyre tambour	Drum bow shackle
9	Manchon	Connector
10	Entrée de voile standard + vis	Standard sail feeder + screw
11	Vis TFHC (profil)	Screw (foil section)
12	Tube télescopique	Telescopic section
14	Kit lattes + axes	Link plates + pin kit
15	Vis H fixation latte (KR)	Screw upper (TK)
16	Cale plastique isolante latte (KR)	Plastic strip (TK)
17	Latte (KR)	Link plate (TK)
18	Axe + Ecrou + bague (KR)	Bottom fixing pin + bolt + bushing (TK)
23	Kit cordage complet	Complete Furling Line
24	Sangle et cordage assemblés sur emerillon	Webbing & furling line assembled on swivel
25	Emerillon sangle	Webbing swivel
26	Filoir	Fairlead
27	Filoir articulé	Articulated fairlead
28	Sangle percée + vis (+ plaque FD170 - FD310)	Drilled webbing + screw (+ plate FD170 - FD310)
43	Metre de sangle	Meter webbing
44	Kit tambour conversion LS/LX/RX (1+14+15+16+23)	Drum kit converting from LS/LX/RX (1+14+15+16+23)
45	Bague axe (KR)	Ring for pin (LPK)